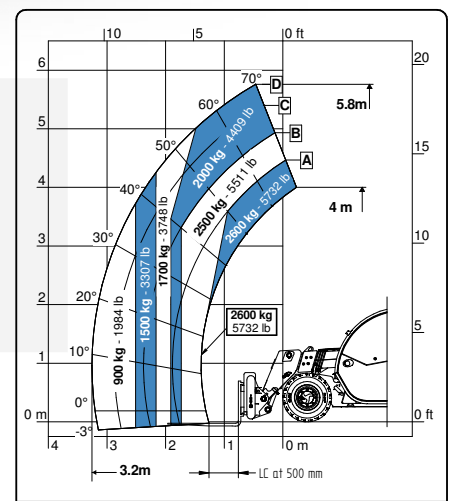
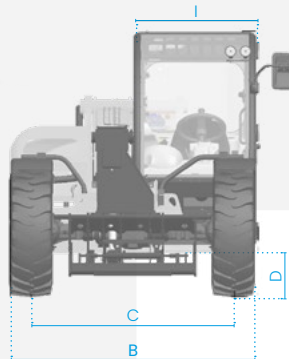
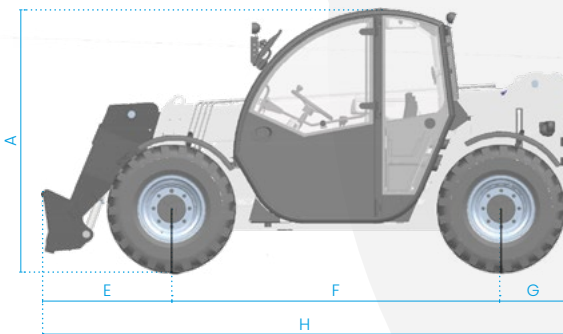


6.26 FULL ELECTRIC



It brings to the attention of all potential customers, all recipients, and to the maximum extent possible, external interlocutors, that Faresin Industries S.p.A. adopts a general Disclaimer regarding the description of the technical and functional characteristics of its machineries, as well as the manner of their use, also with regard to their safety. The Disclaimer must be understood as having a general scope, and therefore Faresin Industries s.p.a. invites to know it, also by accessing the website: www.faresindustries.com



FARESIN.COM



6.26 FULL ELECTRIC

TECHNICAL FEATURES


MODELS		6.26E
DIMENSIONS		
Height	mm	1935
Width	mm	1890
Length	mm	4035
Cabin width	mm	960
WEIGHT		
Weight	kg	4800
DETAILS		
Number of extracting sections	nr	1
Max capacity	kg	2600
Max lifting height	m	5,9
Max horizontal boom extension	m	3,2
Boom extension at max height	m	0,3
Swinging Angle	°	155
TANK CAPACITY		
Hydraulic oil tank	l	70
CONNECTION FOR EQUIPMENT		
FH		●
EURO		○
TYRES		
12-16,5		●
Turning radius	m	3,25

NOTE: All dimensions defined on model with wheels 12-16,5

● Standard ○ Optional - Not available

CONFIGURATIONS		FULL ELECTRIC
TRANSMISSION		
Transmission		electric
Speed	km/h	12
MOTOR		
Transmission	kW	30 (S2)
Hydraulic services	kW	18 (S3)
HYDRAULIC		
Pump type		gears pump
Hydraulic capacity	l/bar	80/230
OTHER		
Joystick		mechanical-electro proportional
Cabin		Queen Cab
Quick coupling		○
Front and rear LED lights		○
Floating boom		○
Boom suspension		○
Manual 6-way diverter		○
PEB (Boom Electric Socket)		○
Front constant flow		○
Bucket mode		●
SPECIAL FEATURES		
Air conditioning		○
Forward buzzer avas		○
Farmatics		FULL (2-5 years)

POWER AND BATTERY CAPACITY	24 kW/h (315 Ah)	32 kW/h (420 Ah)	43 kW/h (560 Ah)
AUTONOMY STANDARD CYCLE INTENSIVE (eco mode)	UP TO 3 HOURS	UP TO 4 HOURS	UP TO 6 HOURS
AUTONOMY STANDARD CYCLE NOT INTENSIVE (eco mode)	UP TO 6 HOURS	UP TO 8 HOURS	UP TO 11 HOURS

CHARGERS			
STANDARD ON BOARD MONO PHASE CHARGER	0-80%	6 h	8 h 50 m
POWER INPUT 16 A 240 VAC			
POWER OUTPUT 35 A (effective) 80 VDC	0-100%	8 h 15 m	11 h 40 m
EXTERNAL THREE PHASES CHARGER 400V - 80A	0-80%	3 h 10 m	4 h 30 m
POWER INPUT 18 A 400 VAC			
POWER OUTPUT 80 A (effective) 80 VDC	0-100%	4 h 50 m	6 h 20 m
EXTERNAL THREE PHASES FAST CHARGER 400V - 200A	0-80%	1 h 10 m	1 h 40 m
POWER INPUT 43 A 400 VAC			
POWER OUTPUT 200 A (effective) 80 VDC	0-100%	2 h	2 h 45 m
ON BOARD FAST CHARGER	0-80%	2 h 20m	3 h
POWER INPUT 16 A 400 VAC (3F+N)			
POWER OUTPUT 110 A (effective) 80 VDC	0-100%	3 h 20m	4 h 30m